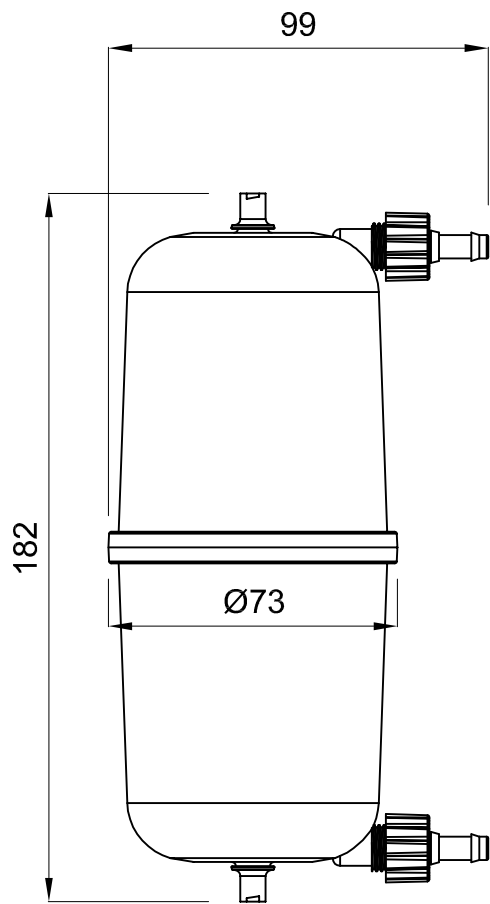


DO NOT SCALE THE DRAWING  
ALL DIMENSIONS ARE IN mm

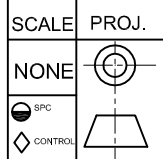


PART	QUANTITY	REF. NO.	DESCRIPTION	MATERIAL	FINISHED SIZE	HARDNESS	REMARK

REV. NO.	ECN. NO.	DATE	DESCRIPTION	REV. NO.	ECN. NO.	DATE	DESCRIPTION

**mdi** Advanced Microdevices Pvt. Ltd. 20,  
21, Industrial Area , Ambala Cantt., 133006

REV. NO.      FORMAT NO.      5



DATE      SIGN.

DRAWN     

DESIGNED     

CHECKED     

APPROVED     

TOLERANCE UNLESS SPECIFIED

	1Dec.PI	2Dec.PI	3Dec.PI	4Dec.PI
C	A±0.100	A±0.050	A±0.025	A±0.010
T	A±0.050	A±0.025	A±0.010	A±0.000
S				
ANGLE	A±2°	A±2°	A±2°	A±2°